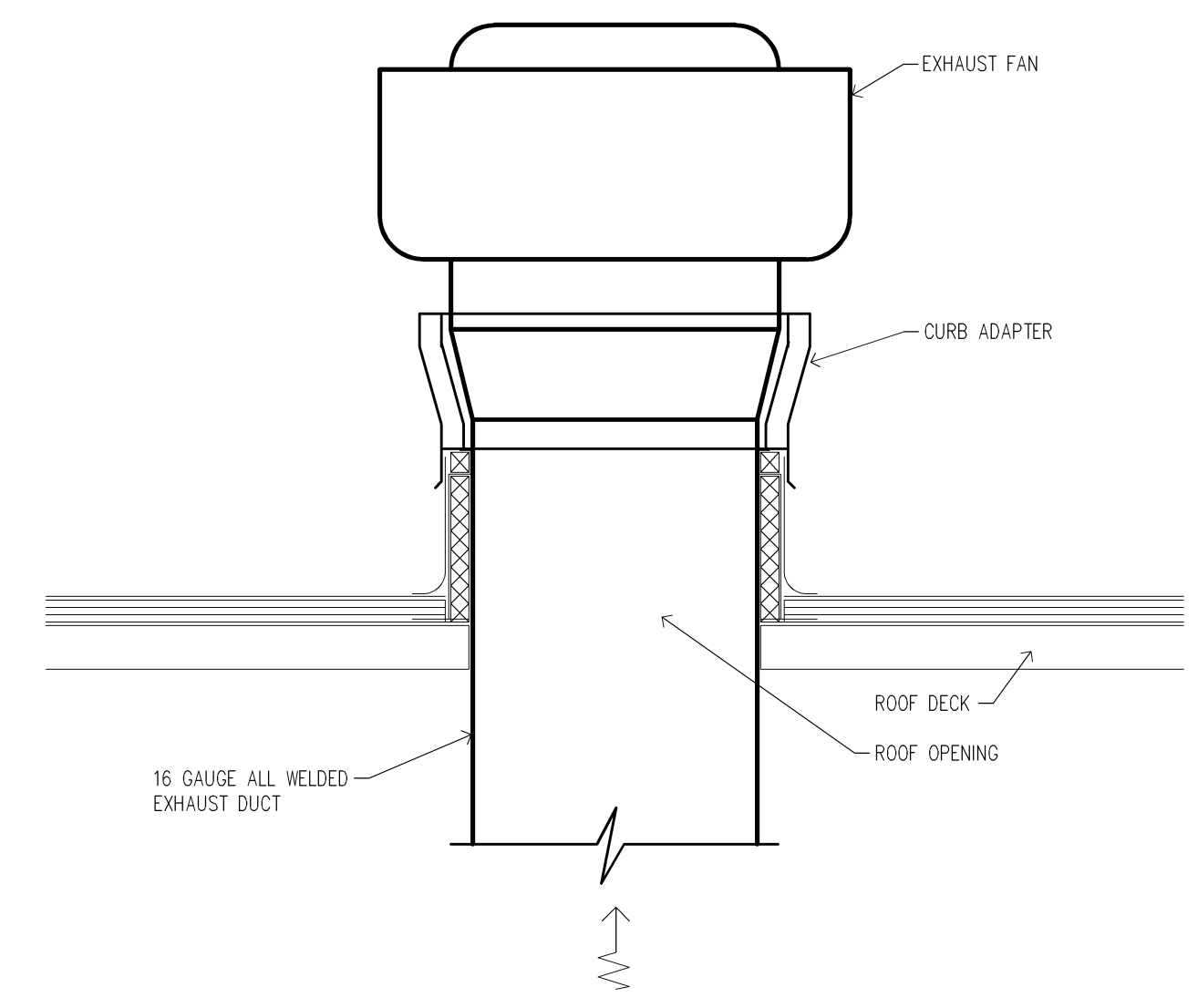


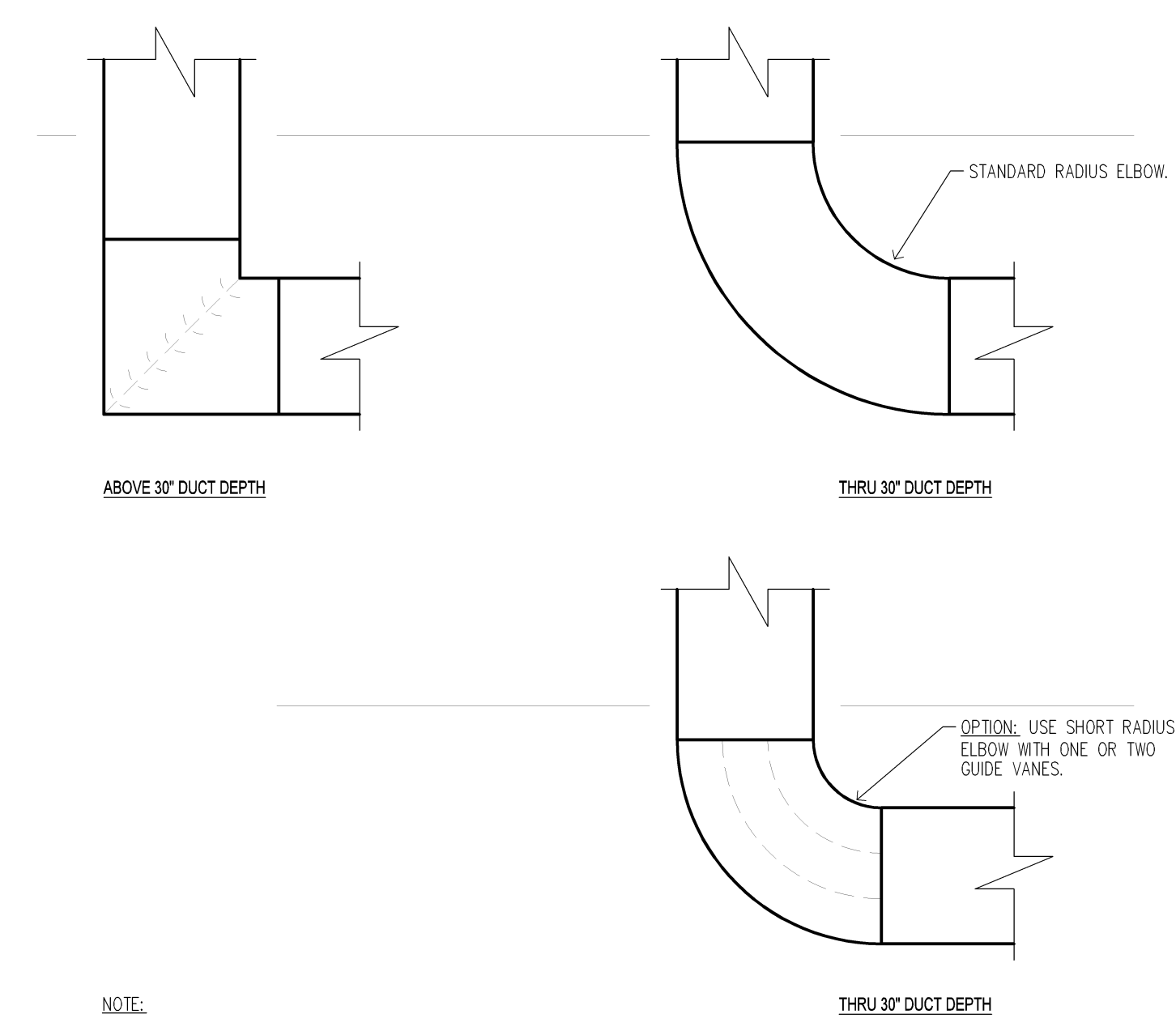
FAN SCHEDULE																		
UNIT NUMBER	NAME	SERVES	TYPE	MANUFACTURER & MODEL	FAN DATA			ELECTRICAL DATA				MANUFACTURER ACCESSORIES				REMARKS		
					CFM	S.P.	MAXIMUM	HP	VOLT	PHASE	DISCONNECT SWITCH	ROOF CURB	VIBRATION ISOLATORS	BIRD SCREEN	BACKDRAFT DAMPER		WEIGHT (LBS.)	
					RPW	BHP	SOUND RATING											
EF-A3	EXHAUST FAN	TOILET ROOMS	CENTRIFUGAL ROOF EXHAUSTER	COOK 365ACRU-XP	7190	1.0	18.8	3	480	3	BY MANUF.	NA	NA	YES	GRAVITY	32" X 32"	420	CURB ADAPTER TO EXISTING CURB FIELD. VERIFY SIZE REQUIREMENTS.

NOTES:
 1. CONTRACTOR SHALL DISCONNECT EXISTING POWER AND CONTROLS FROM FAN AND REINSTALL UPON REPLACEMENT FAN INSTALLATION. EXISTING POWER AND CONTROLS SHALL BE REUSED.

GRILLE AND DIFFUSER SCHEDULE		
DRAWING LEGEND		
DIFFUSER	GRILLE	SLOT/LINEAR DIFFUSER
TYPE CFM NECK SIZE	TYPE CFM SIZE	TYPE CFM NO. OF SLOTS - LENGTH
TYPE CFM WIDTH - LENGTH		
H	EXHAUST GRILLE	OPPOSED BLADE DAMPER
J	TRANSFER GRILLE	



EXHAUST FAN CURB INSTALLATION
DETAIL A
 NO SCALE



NOTE:
 INSIDE SQUARE THROATS ON RADIUS ELBOWS NOT ALLOWED.

DUCT RISER BOTTOM CONFIGURATION
DETAIL B
 NO SCALE

INFLUENCE

architecture + interiors

INFLUENCE, architecture + interiors, Ltd.
 7932E Barlum Drive
 Indianapolis, IN 46240
 www.influence-ai.com
 (p) 317.513.3620
 (f) 317.454.0776

SEALS / SIGNATURES:

CONSULTANTS:
 Mechanical / Electrical/ Plumbing Engineer:

Structural Engineer:

PROJECT

IUPUI
 INDIANA UNIVERSITY
 PURDUE UNIVERSITY
 INDIANAPOLIS

CAVANAUGH HALL
 RESTROOM RENOVATION
 PHASE 2
 425 University Boulevard
 Indianapolis, IN 46202

PROJECT NUMBER
 IU #20141189
 CDG #13045A

DATE / ISSUE
 02-18-15 95% CONSTRUCTION DOCUMENTS
 OWNER REVIEW ISSUE
 03-13-15 CONSTRUCTION DOCUMENTS

SHEET NAME
 SCHEDULES
 AND DETAILS -
 HVAC

SHEET NUMBER
H501

G:\Projects\13045\H501.dwg, 5/15/2015 5:12:59 PM, li,
 Brian Fitch