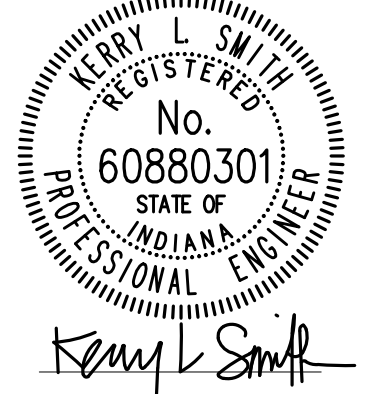
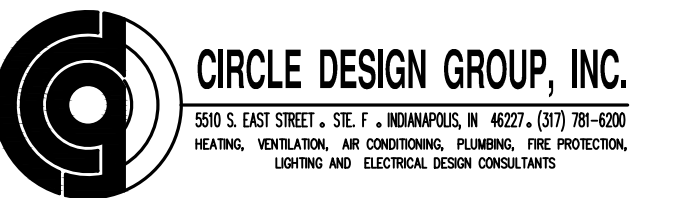


SEALS / SIGNATURES:



CONSULTANTS:

Mechanical / Electrical / Plumbing
Engineer:



Structural Engineer:



PROJECT



CAVANAUGH HALL
RESTROOM RENOVATION
PHASE 2

425 University Boulevard
Indianapolis, IN 46202

PROJECT NUMBER
IU #20141189
CDG #13045A

DATE / ISSUE

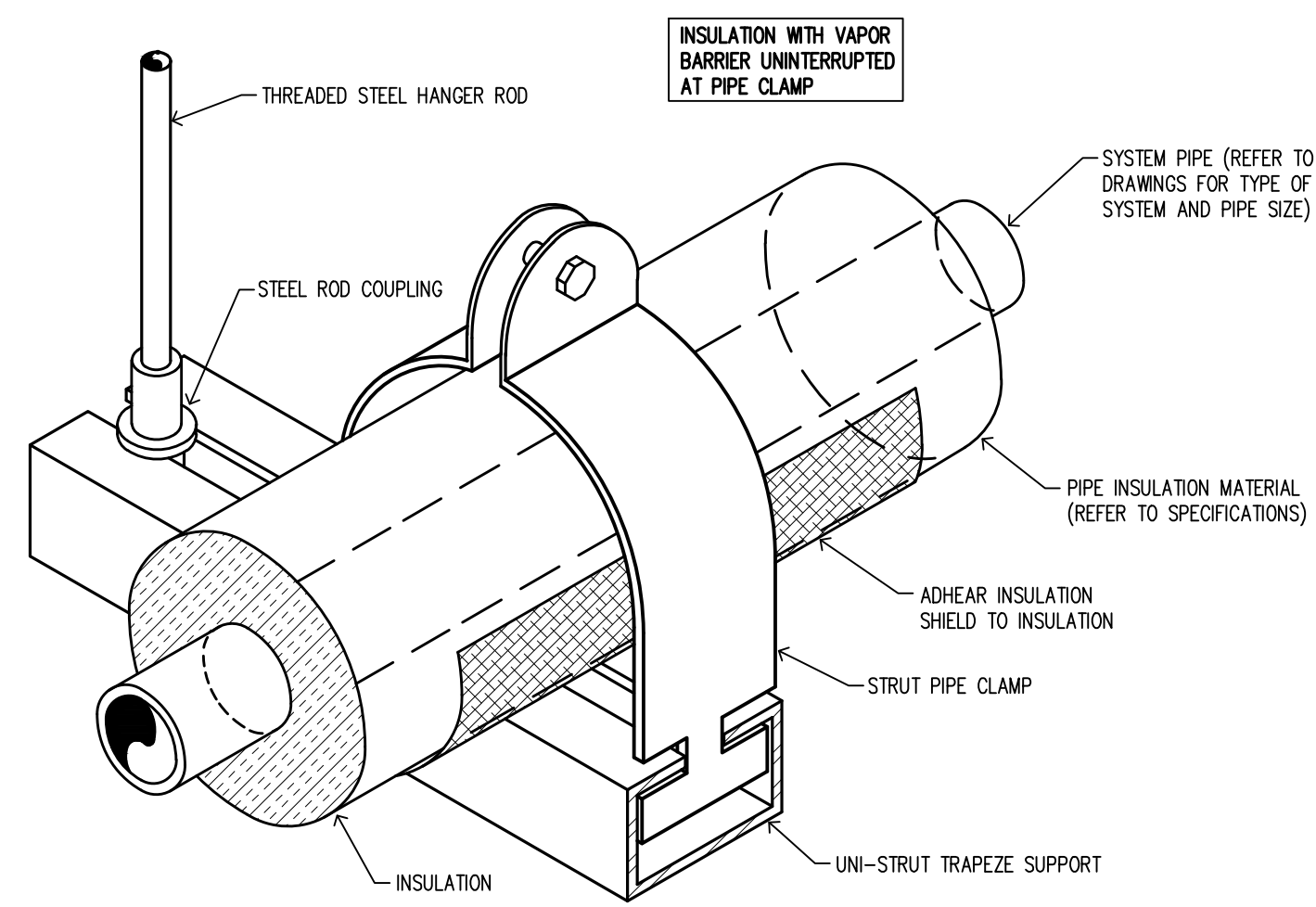
02-18-15 95% CONSTRUCTION DOCUMENTS
OWNER REVIEW ISSUE

03-13-15 CONSTRUCTION DOCUMENTS

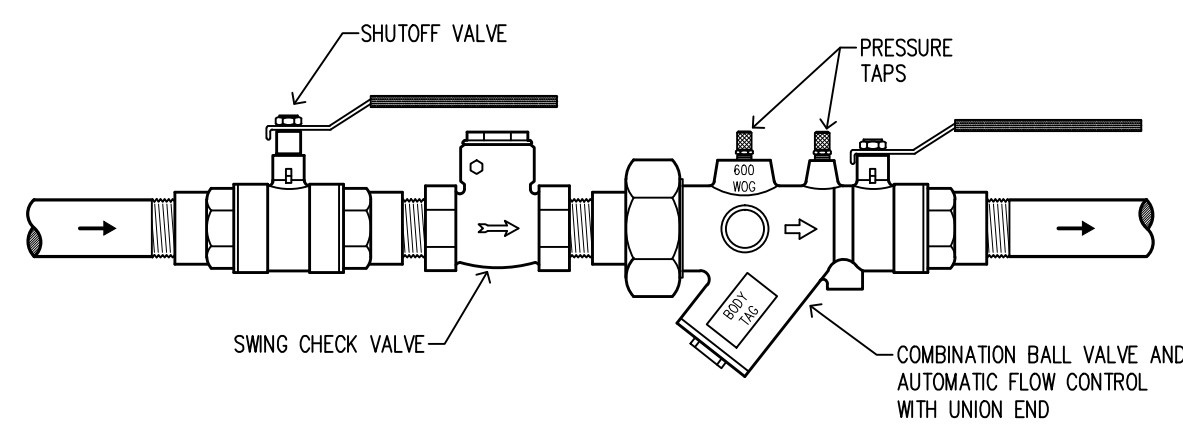
SHEET NAME

BASEMENT FLOOR
PLANS - PLUMBING

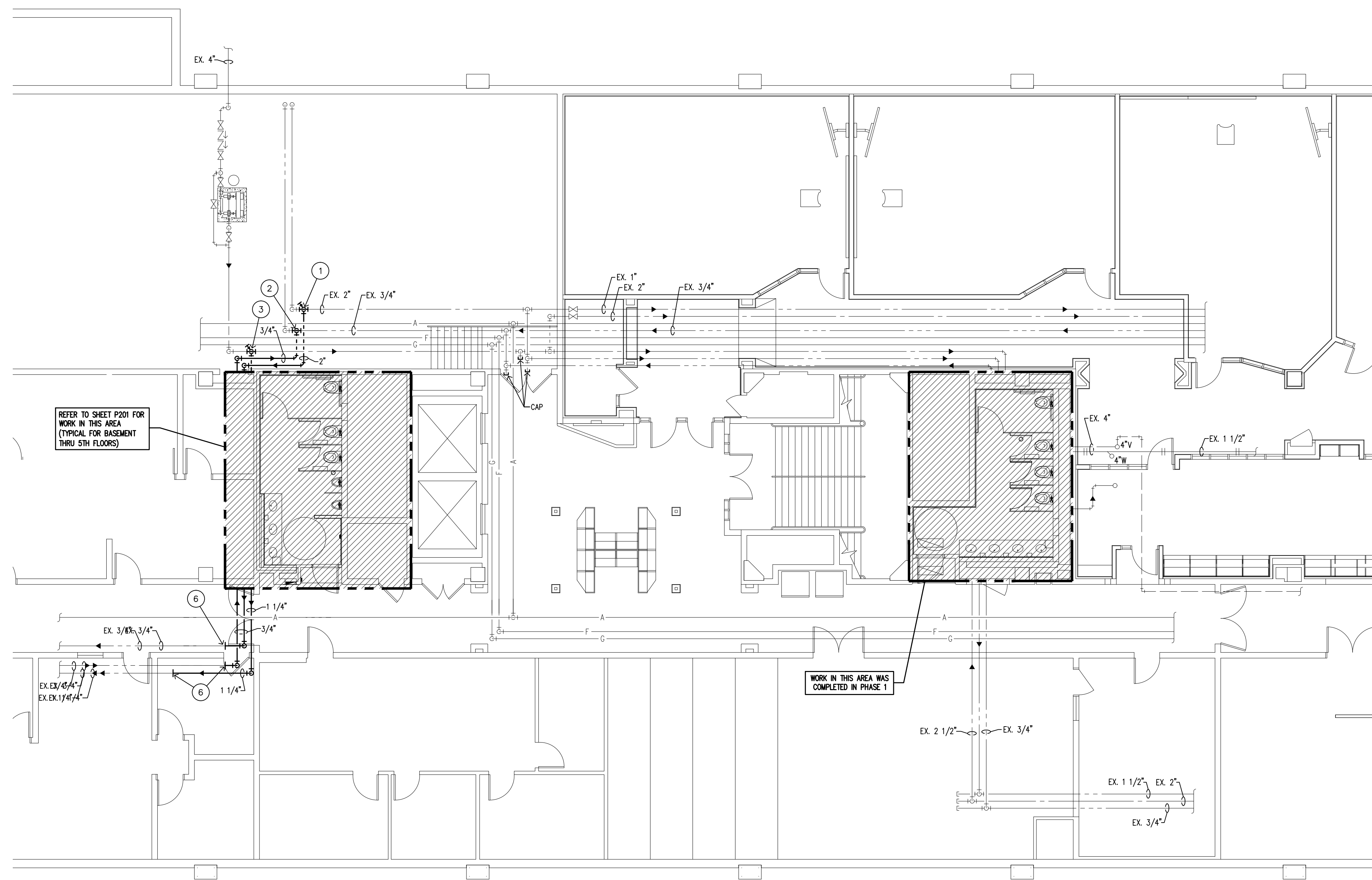
SHEET NUMBER



TYPICAL TRAPEZE PIPE SUPPORT
DETAIL A
NO SCALE



DOMESTIC HOT WATER RETURN
BALANCING STATION
DETAIL B
NO SCALE



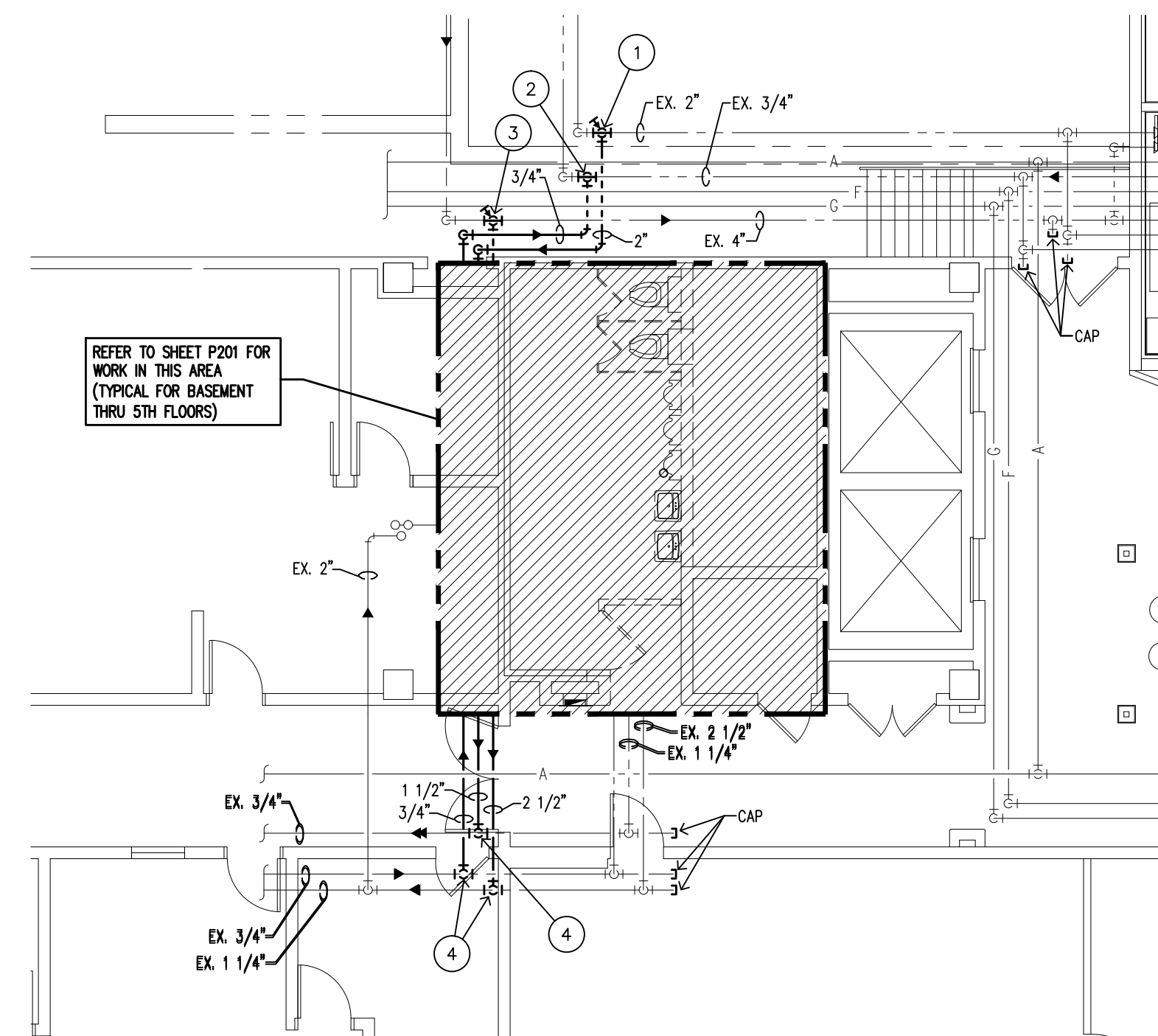
BASEMENT FLOOR PLAN (ALTERNATE BID) - PLUMBING
SCALE: 1/8" = 1'-0"

PLUMBING FIXTURE ROUGH-IN SCHEDULE							
ITEM	DESCRIPTION	ROUGH-IN CONNECTIONS					
		COLD WATER	HOT WATER	TRAP	WASTE	VENT	
P-1	WATER CLOSET - WALL HUNG, FLUSH VALVE	1"	-	INTEGRAL	4"	2"	15"
P-2	WATER CLOSET - WALL HUNG, FLUSH VALVE, ADAAG	1"	-	INTEGRAL	4"	2"	17"
P-3	URNAL - WALL HUNG	3/4"	-	INTEGRAL	2"	1 1/2"	24"
P-4	URNAL - WALL HUNG, ADAAG	3/4"	-	INTEGRAL	2"	1 1/2"	17"
P-5	LAVATORY - COUNTERTOP, ADAAG	1/2"	1/2"	1 1/2"	1 1/2"	1 1/2"	NOTE 1

NOTE:
1. MOUNT SINK IN COUNTERTOP.

WATER HAMMER ARRESTOR SCHEDULE		
P. D. I. SYMBOL	FIXTURE UNIT RATING	PIPE SIZE
A	1 - 11	3/4"
B	12 - 32	1"
C	33 - 60	1"
D	61 - 113	1"
E	114 - 154	1"
F	155 - 330	1"

DRAINAGE FITTING SCHEDULE			
ITEM	MAKE/MODEL	DESCRIPTION	LOCATION
FD-1	ZURN #Z415B-P	CAST IRON BODY, ROUND NICKEL BRONZE STRAINER, TRAP PRIMER	BASEMENT THRU 5TH FLOOR RESTROOMS



PARTIAL BASEMENT FLOOR PLAN
(BASE BID) - PLUMBING
SCALE: 1/8" = 1'-0"

PLAN NOTES:

- CONNECT 2" HOT WATER TO EXISTING 2" HOT WATER AT THIS POINT.
- CONNECT 3/4" HOT WATER RETURN TO EXISTING 3/4" HOT WATER RETURN AT THIS POINT.
- CONNECT 3" COLD WATER TO EXISTING 4" COLD WATER AT THIS POINT.
- CONNECT TO EXISTING AT THIS POINT.
- CONNECT AND MAINTAIN EXISTING COLD, HOT AND HOT WATER RETURN SUPPLIES DURING BASE BID WORK.